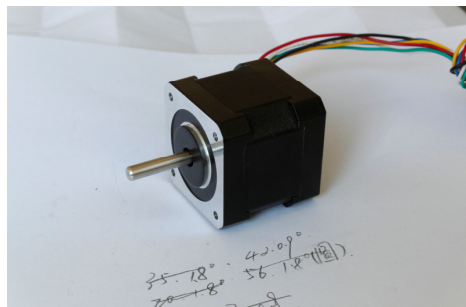


## Model: NEMA17 Stepper motor-SM42HS (1.8 degree)



### General Specification:

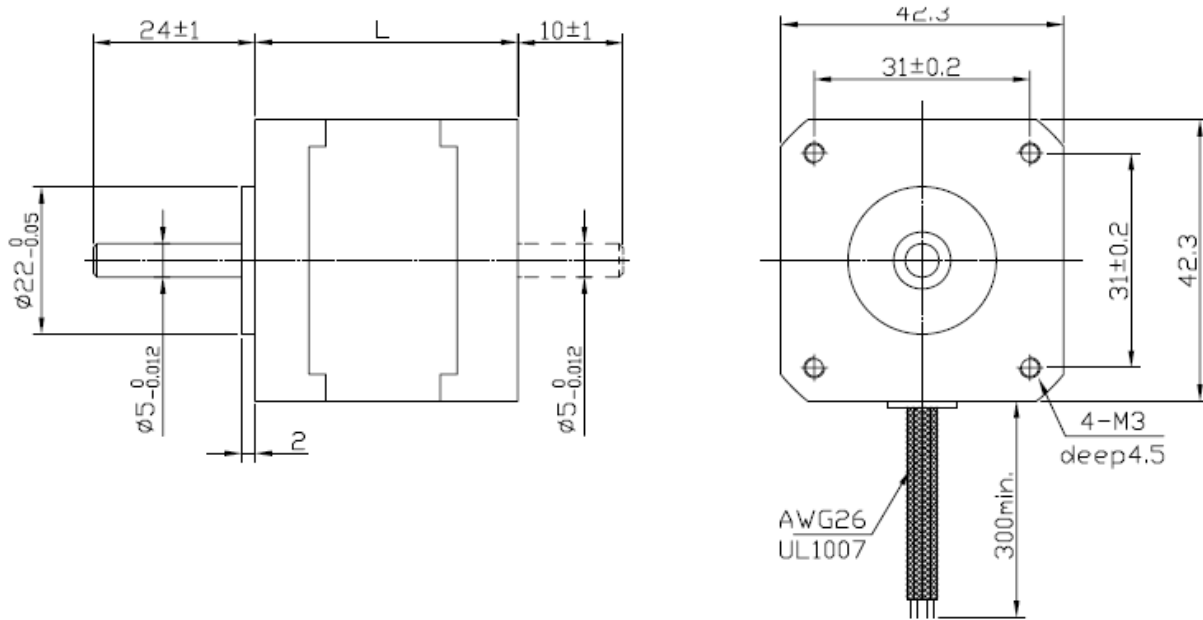
Step Accuracy	----- ±5%
Resistance Accuracy	----- ±10%
Inductance Accuracy	----- ±20%
Temperature Rise	----- 80°C MAX.
Ambient Temperature Range	----- -20°C~ +50°C
Storage Temperature Range	----- -30°C~ +60°C
Insulation Resistance	----- 100M Ω MIN. 500V DC
Dielectric Strength	----- 500V AC 1min
Radial Play	----- 0.02mm MAX. (450g Load)
End Play	----- 0.08mm MAX. (450g Load)
Max. radial force	----- 28N
Max. axial force	----- 10N

### Electrical Specification:

Model No.	Step Angle	Motor Length	Current /Phase	Resistance /Phase	Inductance /Phase	Holding Torque	Lead wires	Detent Torque	Rotor Inertia	Motor Weight
	( ° )	(L)mm	A	Ω	mH	kg.cm	No.	g.cm	g.cm <sup>2</sup>	Kg
SM42HS34-0956	1.8	34	0.95	4.2	2.5	1.6	6	120	34	0.22
SM42HS34-0406	1.8	34	0.4	24	15	1.6	6	120	34	0.22
SM42HS34-0316	1.8	34	0.31	38.5	21	1.6	6	120	34	0.22
SM42HS34-1334	1.8	34	1.33	2.1	2.5	2.2	4	120	34	0.22
SM42HS40-1206	1.8	40	1.2	3.3	3.2	2.6	6	150	54	0.28
SM42HS40-0806	1.8	40	0.8	7.5	6.7	2.6	6	150	54	0.28
SM42HS40-0406	1.8	40	0.4	30	30	2.6	6	150	54	0.28
SM42HS40-1684	1.8	40	1.68	1.65	3.2	3.6	4	150	54	0.28
SM42HS48-1206	1.8	48	1.2	3.3	2.8	3.17	6	260	68	0.35
SM42HS48-0806	1.8	48	0.8	7.5	6.3	3.17	6	260	68	0.35
SM42HS48-0406	1.8	48	0.4	30	25	3.17	6	260	68	0.35
SM42HS48-1684	1.8	48	1.68	1.65	2.8	4.4	4	260	68	0.35
SM42HS60-1206	1.8	60	1.2	6	7	6.5	6	280	102	0.5

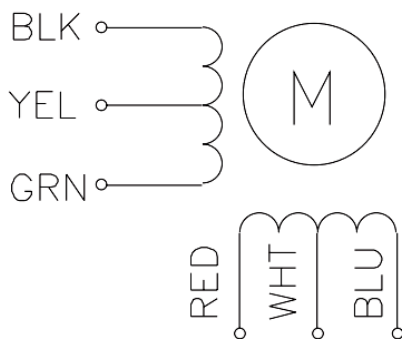
\***Note:** We can also manufacture products according to customer's requirements.

**Dimensions:  
(Unit=mm)**



**Wiring Diagram:**

6 LEADS



4 LEADS

